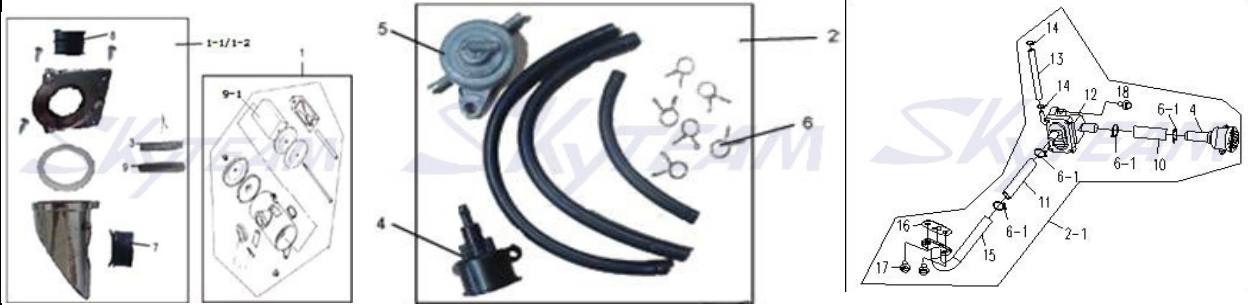


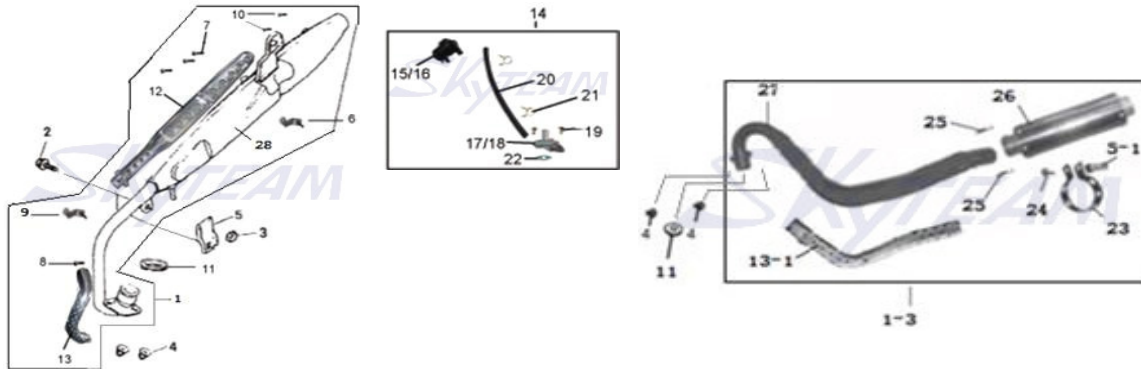
Ref	Part Number	DESCRIPTION(ENGLISH)		QTY	ST125-6	ST125-6 economic	ST125-6A
FIG.1 AIR CLEANER							



1	13700-14A00	Air Cleaner Assy		1			
1-1	13700-16H10 (Cr)	Air Cleaner Assy		1	√		√
1-2	13700-16H20	Air Cleaner Assy		1		√	
2	13800-17H00	Secondary Air System		1	√	√	
2-1	13840-17H00	Secondary Air System		1			√
3	13721-14A00	Clip, Air Cleaner		1	√	√	√
4	13810-18H00	Filter		1	√	√	√
5	13820-18H00	Control Valve		1	√	√	
6	13830-18H00	Clip		6	√	√	
6-1	09401-21H00	Clip		4			√
6-2	09402-21H00	Clip		2			√
7	13727-16H10	Inlet Tube, Air Cleaner		1	√	√	√
8	13723-16H10	Outlet Tube , Air Cleaner		1	√	√	√
9	13725-16H10	Element, Air Cleaner		1	√	√	√
9-1	13714-14A00	Element, Air Cleaner		1			
10	18442-22H00	Outlet Hose, Second Air System		1			√
11	18441-22H00	System		1			√
12	18420-21H00	Valve, Second Air System		1			√
13	13860-17H10	Vacuum Pipe		1			√
14	09402-21H00	Clip		2			√
15	13770-22H00	STEEL PIPE		1			√
16	13740-Z1000	Graphite Filling		1			√
17	GB/T 16674 M6×12-Zn.DB	BOLT		2			√
18	GB/T 16674 M6×35-Zn.DB	BOLT		1			√

Ref	Part Number	DESCRIPTION(ENGLISH)	QTY	ST125-6	ST125-6 economic	ST125-6A
-----	-------------	----------------------	-----	---------	---------------------	----------

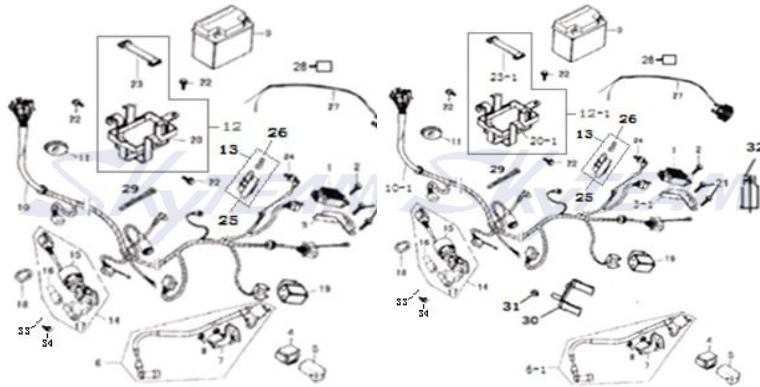
FIG.2 MUFFLER



1	14300-14A00	Muffler Comp with catalyst	1			
1-1	14300-17H10	Muffler Comp with catalyst	1	√		√
1-2	14300-17H30	Muffler Comp	1		√	
1-3	14300-16H10	Muffler Comp	1			
2	GB/T 16674 M8×20-Zn.DB	Flange Bolt	1	√	√	√
3	GB/T 6187.1 M8-Zn.DB	Flange Nut	1	√	√	√
4	14370-Z1000	Nut	2	√	√	√
5	14781-14A00	Plate	1	√	√	√
5-1	14321-16H00	Spacer	1			
6	14322-14A00	Clip	1	√	√	√
7	GB/T 818 M6×10-Cr	Screw	3	√	√	√
8	GB/T 818 M6×25-Cr	Screw	1	√	√	√
9	14312-14A00	Clamp	2	√	√	√
10	GB/T 818 M5×20-Cr	Screw	2	√	√	√
11	14360-Z1000	Gasket, Exhaust Pipe	1	√	√	√
12	14321-14A00	Cover, Muffler	1	√	√	√
13	14311-14A00	Cover, Exhaust Pipe	1	√	√	√
13-1	14330-16H00	Cover, Exhaust Pipe	1			
14	13790-14A00	Secondary Air System	1			
15	13791-Z1000	Holder, Small Air Filter	1			
16	13710-Z1000	Small Air Filter	1			
17	13720-Z1000	One-Way Valve	1			
18	GB/T 16674 M6×16-Zn.DB	Flange Bolt	2			
19	GB/T 818 M6×16-Zn.DB	Screw	2			
20	13730-14A00	Rubber Hose	1			
20-1	13730-17H00	Rubber Hose	1			
21	13731-Z1000	Clip	2			
22	13740-Z1000	Graphite Gasket	1			
23	14301-16H10	Clamp	1			
24	GB/T 16674 M8×12-Zn.DB	Flange Bolt	1			
25	14302-16H10	Spring	2			
26	14320-16H10	Muffler Body	1			
27	14310-16H10	Exhaust Pipe	1			
28	14330-14A00	Muffler Comp	1			
28-1	14330-17H10	Muffler Comp	1	√		√
28-2	14330-17H30	Muffler Comp	1		√	

Ref	Part Number	DESCRIPTION(ENGLISH)	QTY	ST125-6	ST125-6 economic	ST125-6A
-----	-------------	----------------------	-----	---------	---------------------	----------

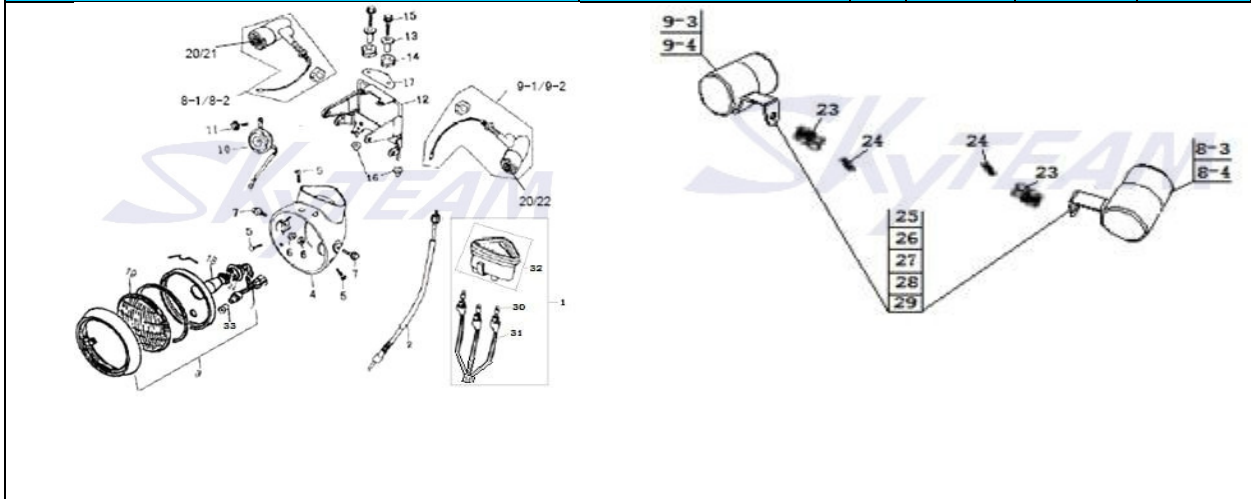
FIG.3 ELECTRICAL



1	32800-Z1000	Rectifier Assy	1	√	√	√
2	GB/T 16674 M6×10-Zn.DB	Flange Bolt	1	√	√	√
3	32820-14A00	Bracket, Rectifier	1	√	√	√
3-1	32820-14A10	Bracket, Rectifier	1			
4	32910-14A00	Holder, Cdi Unit	1	√	√	√
5	32900-Z1000	Cdi Unit	1			
5-1	32900-16H00	Cdi Unit	1	√	√	√
6	33400-Z1000	Ignition Coil	1	√	√	√
6-1	33400-17H00	Ignition Coil	1			
7	33510-14A00	Holder, Ignition Coil	1	√	√	√
8	GB/T 6170 M6-Zn.DB	Nut	2	√	√	√
9	33610-15A00	Battery	1	√	√	√
9-1	33610-17H00	Battery	1			
10	36610-17H00	Wire Harness Assy	1	√	√	√
10-1	36610-17H20	Wire Harness Assy	1			
11	36621-15A00	Clamp	1	√	√	√
12	33620-14A00	Holder, Battery	1	√	√	√
12-1	33620-14A10	Holder, Battery	1			
13	37310-14A00	Fuse Assy	1	√	√	√
14	37000-14A00	Lock Assy	1	√	√	√
15	46700-14A00	Ignition Switch	1	√	√	√
16	37300-Y1000	Steering Lock Assy	1	√	√	√
17	45600-14A00	Seat Lock	1	√	√	√
18	GB 96 5-140HV-Zn.DB	Washer	1	√	√	√
19	38610-Y1000	Flash Relay	1	√	√	√
20	41510-14A00	Holder, Battery	1	√	√	√
20-1	41510-17H00	Holder, Battery	1			
21	GB/T 16674 M6×16-Zn.DB	Flange Bolt	2	√	√	√
22	GB/T 16674 M6×12-Zn.DB	Flange Bolt	4	√	√	√
23	41522-14A00	Band, Battery	1	√	√	√
23-1	33660-21H00	Band, Battery	1			
24	37313-14A00	Fuse Seat	2			
25	37311-14A00	Fuse Box	1	√	√	√
26	37312-15A00	Fuse	2	√	√	√
27	31800-Y1000	Start Relay	1	√	√	√
28	36612-Y1000	Band, Wire Harness (150mm)	8	√	√	√
29	GB/T 819.1 M6×12-Zn.DB	Screw	2			
30	31810-14A00	Bracket, Start Relay	1			
31	GB/T 6187.1 M6-Zn.DB	Flange Nut	1			
32	32911-14A00	Holder, Ignition Coil	1			
33	GB 96 5-140HV-Zn.DB	Washer	1	√	√	√
34	GB 827 4×8	Rivet	1	√	√	√

Ref	Part Number	DESCRIPTION(ENGLISH)	QTY	ST125-6	ST125-6 economic	ST125-6A
-----	-------------	----------------------	-----	---------	---------------------	----------

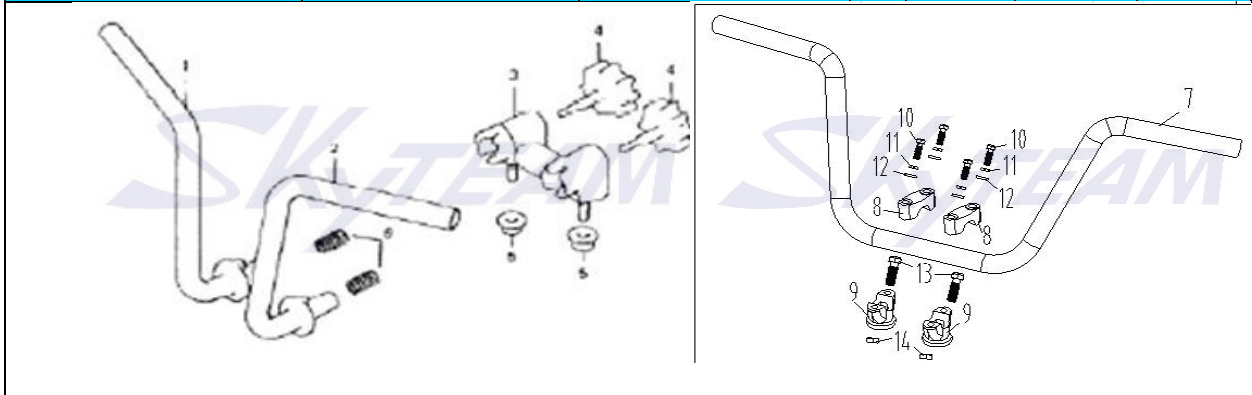
FIG.4 SPEEDOMETER & HEADLAMP



1	34100-14G00	Speedometer	1	√	√	√
1-1	34100-14A00	Speedometer	1			
2	58200-14A00	Cable, Speedometer	1	√	√	√
3	35100-14A00	Headlamp Assy	1	√	√	√
4	35121-14A00	Housing, Headlamp (Color)	1	√	√	√
5	GB/T 820 M5×16-Zn.DB	Screw	3	√	√	√
6	35124-14A00	Nut	2	√	√	√
7	35123-14A00	Bolt	2	√	√	√
8-1	35310-15H20	Signal Lamp Assy, Front, Rh	1	√	√	√
8-2	35410-15H20	Signal Lamp Assy, Rear, Rh (Used As Rear/Lh)	1	√	√	√
8-3	35310-17H00	Signal Lamp Assy, Front, Rh	1			
8-4	35410-17H00	Signal Lamp Assy, Rear, Lh	1			
9-1	35210-15H20	Signal Lamp Assy, Front, Lh	1	√	√	√
9-2	35510-15H20	Signal Lamp Assy, Rear, Lh (Used As Rear/Rh)	1	√	√	√
9-3	35210-17H00	Signal Lamp Assy, Front, Lh	1			
9-4	35510-17H00	Signal Lamp Assy, Rear, Rh	1			
10	38500-14A00	Horn Assy	1	√	√	√
11	GB/T 16674 M6×12-Zn.DB	Flange Bolt	1	√	√	√
12	46710-14A00	Bracket, Head Lamp	1	√	√	√
13	44415-15A00	Bushing	2	√	√	√
14	46421-15A00	Rubber	2	√	√	√
15	GB/T 16674 M6×25-Zn.DB	Flange Bolt	2	√	√	√
16	46705-14A00	Rubber	2	√	√	√
17	51511-14A00	Decorative Plate	1	√	√	√
18	35101-Y1000	Blub, Headlamp	1	√	√	√
19	35102-14A00	Lens, Headlamp	1	√	√	√
20	35211-Y1000	Bulb, Signal Lamp	4	√	√	√
21	35312-15H20	Lens, Signal Lamp	2	√	√	√
22	35212-15H20	Lens, Signal Lamp	2	√	√	√
23	35608-17H00	Rubber Ring	2			
24	35609-17H00	Spacer	2			
25	GB/T 16674 M6×20-Zn.DB	Flange Bolt	2			
26	GB/T 16674 M6×25-Zn.DB	Flange Bolt	2			
27	GB/T 6187.1 M6-Zn.DB	Flange Nut	4			
28	GB 97.1 5-140HV-Zn.DB	Washer	2			
29	GB 97.1 8-140HV-Zn.DB	Washer	2			
30	34102-14G00	Bulb, Speedometer	4	√	√	√
31	34103-14G00	Holder Comp., Bulb	1	√	√	√
32	34101-14G00	Speedometer	1	√	√	√
32-1	34101-14A00	Speedometer	1			
33	35106-Y1000	Bulb, Position Lamp	1	√	√	√

Ref	Part Number	DESCRIPTION(ENGLISH)	QTY	ST125-6	ST125-6 economic	ST125-6A
-----	-------------	----------------------	-----	---------	---------------------	----------

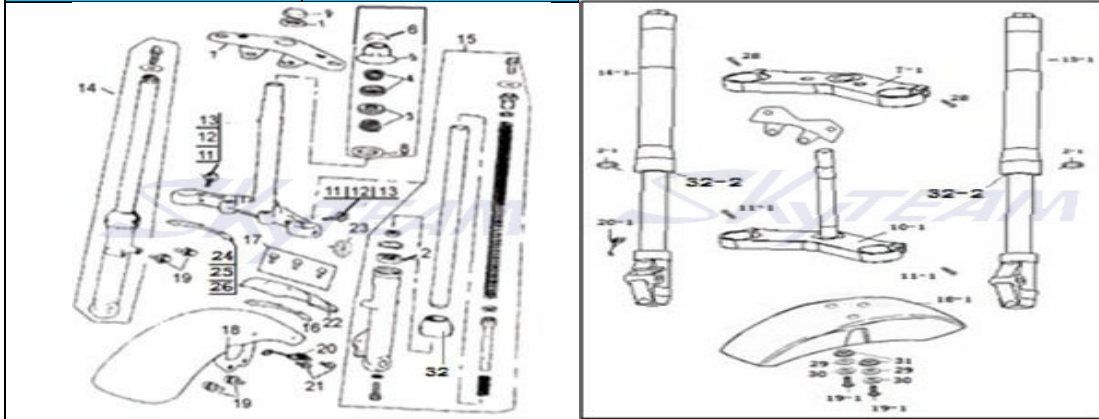
FIG.5 HANDLE BAR



1	56120-15A00	Handlebar, Rh	1	√	√	√
2	56110-15A00	Handlebar, Lh	1	√	√	√
3	56140-15A00	Holder, Handle Bar	1	√	√	√
4	56130-15A00	Lock, Handlebar	2	√	√	√
5	GB/T 6187.2 M10×1.25-Zn.DB	Flange Nut	2	√	√	√
6	56141-15A00	Spring	2	√	√	√
7	56110-16H20	Handelbar	1			
8	56221-Z1000	Upper Handlebar Holder	2			
9	56211-Z1000	Lower Handlebar Holder	2			
10	01204-Z1000	Bolt	2			
11	GB 859 8-Zn.DB	Spring Washer	4			
12	GB 97.1 8-140HV-Zn.DB	Washer	4			
13	56223-Z1000	Bolt	2			
14	GB/T 6187.2 M10×1.25-Zn.DB	Flange Nut	2			

Ref	Part Number	DESCRIPTION(ENGLISH)	QTY	ST125-6	ST125-6 economic	ST125-6A
-----	-------------	----------------------	-----	---------	---------------------	----------

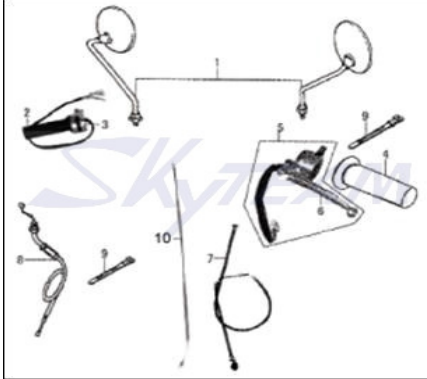
FIG.6 FRONT FORK



1	51612-Z1000	Washer	1	√	√	√
2	51170-16H00	Oil Seal	2	√	√	√
3	51660-Z1000	Needle Bearing, Lower	1	√	√	√
4	51650-Z1000	Needle Bearing, Upper	1	√	√	√
5	51643-Z1000	Dust Seal	1	√	√	√
6	51631-Z1000	Steering Nut	1	√	√	√
7	51310-14A00	Steering Head	1	√	√	√
7-1	51310-17H10	Steering Head	1			
8	51632-Z1000	Washer	1	√	√	√
9	51633-Z1000	Steering Nut	1	√	√	√
10	51410-14A10	Steering Stem	1	√		√
10-1	51410-17H00	Steering Stem	1			
10-2	51410-14A00	Steering Stem	1		√	
11	GB/T 16674 M8×35-Zn.DB	Flange Bolt	2	√	√	√
11-1	GB/T 70.1 M6×30-Cr	Screw	4			
12	GB 97.1 8-140HV-Zn.DB	Washer	2	√	√	√
13	GB 859 8-Zn.DB	Spring Washer	2	√	√	√
14	51160-14A10	Shock Absorber, Front, Rh	1	√		√
14-1	51160-17H00	Shock Absorber, Front, Rh	1			
14-2	51160-14A00	Shock Absorber, Front, Rh	1		√	
15	51150-14A10	Shock Absorber, Front, Lh	1	√		√
15-1	52200-16H10	Front Shock Absorber, Lh	1			
15-2	51150-14A00	Shock Absorber, Front, Lh	1		√	
16	53122-14A00	Underboarding	1	√	√	√
17	GB/T 16674 M6×10-Zn.DB	Flange Bolt	3	√	√	√
18	53110-14A00	Front Fender (Cr)	1	√	√	√
18-1	53110-17H00	Front Fender (Cr)	1			
19	GB/T 16674 M6×12-Cr	Flange Bolt	4	√	√	√
19-1	GB/T 5783 M6×16-Zn.DB	Bolt	3			
20	53131-14A00	Cable Clamp	1	√	√	√
20-1	53119-16H10	Clamp, Speedometer Cable	1			
21	GB/T 16674 M5×10-Zn.DB	Flange Bolt	2	√	√	√
22	53121-14A00	Rear Part, Front Fender	1	√	√	√
23	38110-Y1000	Side Reflector	2	√	√	√
24	46720-10A00	Mounting Plate, Lower	1	√	√	√
25	GB/T 5783 M6×35-Zn.DB	Bolt	2	√	√	√
26	GB 859 6-Zn.DB	Spring Washer	2	√	√	√
27	51312-17H00	Installation Plate	1			
28	GB/T 70.1 M6×20-Cr	Screw	2			
29	GB 97.1 6-140HV-Zn.DB	Washer	3			
30	GB 859 6-Zn.DB	Spring Washer	3			
31	53111-15A00	Rubber Pad	3			
32	51171-14A10	Seal Cap	2	√		√
32-1	51171-14A00	Seal Cap	2		√	
32-2	51171-16H10	Seal Cap	2			

Ref	Part Number	DESCRIPTION(ENGLISH)	QTY	ST125-6	ST125-6 economic	ST125-6A
-----	-------------	----------------------	-----	---------	---------------------	----------

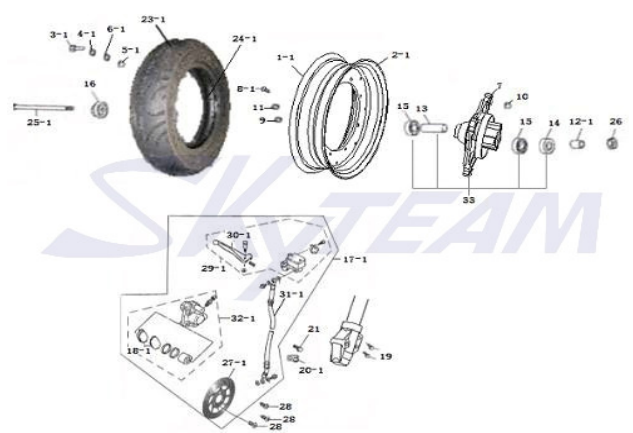
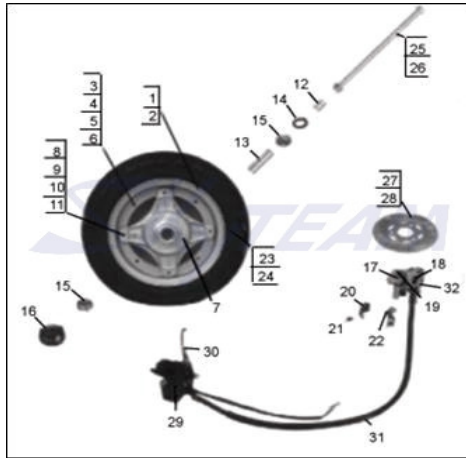
FIG.7 HANDLE SWITCH



1	56500-56600-14A00	Rearview Mirror Assy	1	√	√	√
2	57320-Z1010	Grip, Throttle	1	√	√	√
3	57310-Z1010	Right Handle Switch Assy	1	√	√	√
4	57210-Z1000	Grip, Lh	1	√	√	√
5	57600-Z1000	Left Handle Switch Assy	1			
5-1	57600-Z1020	Left Handle Switch Assy	1	√	√	√
5-2	57600-Z1010	Left Handle Switch Assy	1	√		
5-3	57600-15A20	Left Handle Switch Assy	1			
6	57511-Z1000	Lever, Clutch	1	√	√	√
7	58400-14A00	Clutch Cable Assy	1			
7-1	58400-17H00	Clutch Cable Assy	1	√	√	√
7-2	58400-17H10	Clutch Cable Assy	1			
8	58300-14A00	Throttle Cable Assy	1			
8-1	58300-17H00	Throttle Cable Assy	1	√	√	√
9	36614-Y1000	Band, Wire Haeness	2	√	√	√
10	58500-14A00	Choke Cable Assy	1			

Ref	Part Number	DESCRIPTION(ENGLISH)	QTY	ST125-6	ST125-6 economic	ST125-6A
-----	-------------	----------------------	-----	---------	---------------------	----------

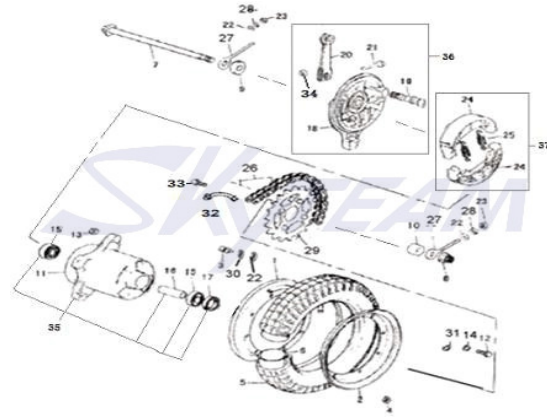
FIG.8 FRONT WHEEL



1	54141-Z1000	Rim, Rh(3.5-10) (Color)	1	√	√	√
1-1	54141-17H00	Rim, Rh(3.0-12)	1			
2	54142-Z1000	Rim, Lh(3.5-10) (Color)	1	√	√	√
2-1	54142-17H00	Rim, Lh(3.0-12)	1			
3	GB/T 5783 M6×16-8.8-Zn.DB	Bolt	4	√	√	√
3-1	GB/T 5783 M6×20-8.8-Zn.DB	Bolt	12			
4	GB 97.1 6-140HV-Zn.DB	Washer	4	√	√	√
4-1	GB 97.1 6-140HV-Zn.DB	Washer	12			
5	GB/T 6187.1 M6-Zn.DB	Flange Nut	4	√	√	√
5-1	GB/T 6187.1 M6-Zn.DB	Flange Nut	12			
6	GB 859 6-Zn.DB	Spring Washer	4	√	√	√
6-1	GB 859 6-Zn.DB	Spring Washer	12			
7	54111-Z1000	Hub, Front Wheel (Color)	1	√	√	√
7-1	54111-14A00	Hub, Front Wheel (Color)	1			
8	GB/T 5783 M8×25-8.8-Zn.DB	Bolt	4	√	√	√
8-1	GB/T 5783 M8×35-8.8-Zn.DB	Bolt	4			
9	GB 97.1 8-140HV-Zn.DB	Washer	4	√	√	√
10	210221-Z1000	Nut	4	√	√	√
11	GB 859 8-Zn.DB	Spring Washer	4	√	√	√
12	54121-Z1000	Bush, Front Wheel, L	1	√		√
12-1	55331-16H10	Bush, Front Wheel, L	1			
12-2	54121-14A00	Bush, Front Wheel, L	1		√	
13	54123-Z1000	Bushing	1	√		√
13-1	54123-14A00	Bushing	1		√	
14	09284-Z1000	Dust Seal	1	√		√
14-1	09284-14A00	Dust Seal	1		√	
15	GB/T 276 6301Z	Bearing	2	√		√
15-1	GB/T 276 6201Z	Bearing	2		√	
16	54600-Z1000	Gear Box Assy,Speedometer	1	√		√
16-1	54600-17H00	Gear Box Assy,Speedometer	1			
16-2	54600-14A00	Gear Box Assy,Speedometer	1		√	
17	59000-14A00	Front Brake Assy	1	√		√
17-1	59000-16H10	Front Brake Assy	1			
17-2	59000-14A10	Front Brake Assy	1		√	
18	59312-Z1000	Front Brake Pad	1	√	√	√
18-1	59370-16H10	Front Brake Pad	1			
19	GB/T 16674 M8×32-9.8-Zn.DB	Flange Bolt	2	√	√	√
20	59489-Z1000	Clamp, Brake Hose	1	√	√	√
20-1	59489-16H10	Clamp, Brake Hose	1			
21	GB/T 16674 M6×12-Zn.DB	Flange Bolt	1	√	√	√
22	59242-Z1000	Clamp, Brake Tube	1	√	√	√
23	55100-14A00	Tire	1	√	√	√
23-1	55100-14A20	Tire	1			
24	55200-14A00	Tube, Inner	1	√	√	√
24-1	55200-14A20	Tube, Inner	1			
25	54711-Z1000	Axle, Front Wheel	1	√		√
25-1	64711-Z1000	Axle, Rear Wheel(Used As Front Axle)	1			
25-2	54711-14A00	Axle, Front Wheel	1		√	
26	GB/T 6187.2 M12×1.25-Zn.DB	Flange Nut	1	√		√
26-1	GB/T 6187.2 M10×1.25-Zn.DB	Flange Nut	1		√	
27	59414-Z1000	Front Brake Disc	1	√	√	√
27-1	59411-16H20	Front Brake Disc	1			
28	58412-Z1000	Bolt	3	√	√	√
29	59008-14A00	Master Cylinder, Front Brake	1	√	√	√
29-1	59600-16H10	Master Cylinder, Front Brake	1			
30	59286-Z1000	Front Brake Lever	1	√	√	√
30-1	57421-16H10	Front Brake Lever	1			
31	59287-14A00	Front Brake Hose	1	√	√	√
31-1	59480-16H10	Front Brake Hose	1			
32	59007-Z1000	Caliper, Front Brake	1	√		√
32-1	59300-16H10	Caliper, Front Brake	1			
32-2	59007-14A10	Caliper, Front Brake	1		√	
33	54100-Z1000	Hub, Front Wheel	1	√		√
33-1	54100-14A00	Hub, Front Wheel	1		√	

Ref	Part Number	DESCRIPTION(ENGLISH)	QTY	ST125-6	ST125-6 economic	ST125-6A
-----	-------------	----------------------	-----	---------	------------------	----------

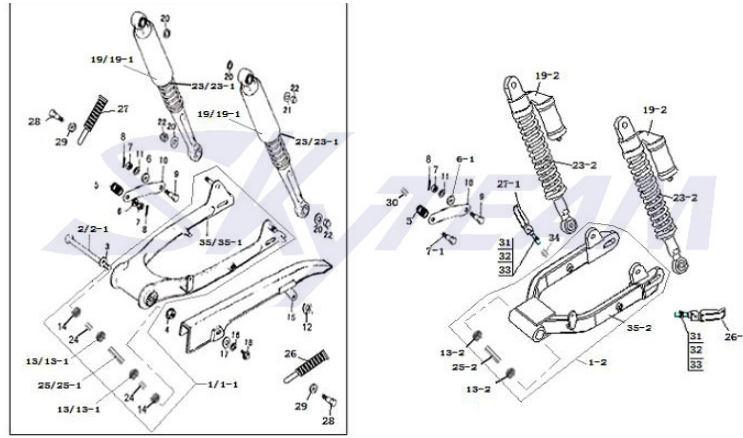
FIG.9 REAR WHEEL



1	54141-Z1000	Rim, Rh(3.5-10) (Color)	1	√	√	√
1-1	54141-17H00	Rim, Rh(3.0-12)	1			
2	54142-Z1000	Rim, Lh(3.5-10) (Color)	1	√	√	√
2-1	54142-17H00	Rim, Lh(3.0-12)	1			
3	GB/T 5783 M6×16-Zn.DB	Bolt	4	√	√	√
3-1	GB/T 5783 M6×20-8.8-Zn.DB	Bolt	12			
4	GB/T 6187.1 M6-Zn.DB	Flange Nut	4	√	√	√
4-1	GB/T 6187.1 M6-Zn.DB	Flange Nut	12			
5	55100-14A00	Tire	1	√	√	√
5-1	55100-14A20	Tire	1			
6	55200-14A00	Tube, Inner	1	√	√	√
6-1	55200-14A20	Tube, Inner	1			
7	64711-14A00	Axle, Rear Wheel	1	√	√	√
7-1	54711-Z1000	Axle, Front Wheel(Used In Rear Wheel)	1			
8	GB/T 6187.2 M12×1.25-Zn.DB	Flange Nut	1	√	√	√
9	64122-14A00	Bush, Rear Wheel, R	1	√	√	√
10	64121-14A00	Bush, Rear Wheel, L	1	√	√	√
11	65320-Z1010	Hub, Rear Wheel (Color)	1	√	√	√
12	GB/T 5783 M8×25-8.8-Zn.DB	Bolt	4	√	√	√
12-1	GB/T 5783 M8×35-8.8-Zn.DB	Bolt	4			
13	210221-Z1000	Nut	4	√	√	√
14	GB 859 8-Zn.DB	Spring Washer	4	√	√	√
15	GB/T 276 6301Z	Bearing	2	√	√	√
16	210207-Z1000	Middle Bushing	1	√	√	√
17	210213-Z1000	Dust Seal, Left	1	√	√	√
18	64201-Z1000	Panel Comp, Rear Hub (Color)	1	√	√	√
19	64204-Z1000	Cam, Rear Brake	1	√	√	√
20	64205-14A00	Lever, Rear Brake Cam	1	√	√	√
21	GB/T 5783 M6×35-Zn.DB	Bolt	1	√	√	√
22	GB 97.1 6-140HV-Zn.DB	Washer	2	√	√	√
23	GB/T 6170 M6-Zn.DB	Nut	2	√	√	√
23-1	GB/T 6170 M6-Zn.DB	Nut	4			
24	64202-Z1000	Rear Brake Shoe	2	√		√
24-1	64202-14A10	Rear Brake Shoe	2		√	
25	64203-Z1000	Spring	2	√	√	√
26	08MA-90 GB/T14212-93	Chain	1	√	√	√
26-1	08MA-84 GB/T14212-93	Chain	1	√	√	√
26-2	08MA-86 GB/T14212-93	Chain	1			
27	61411-14A00	Adjuster, Chain	2	√	√	√
27-1	61411-16H00	Adjuster, Chain	2			
28	GB 859 6-Zn.DB	Spring Washer	2	√	√	√
29	64511-10A00	Rear Sprocket	1			
29-1	64511-18H10	Rear Sprocket	1	√	√	√
30	GB 859 6-Zn.DB	Spring Washer	4	√	√	√
30-1	GB 859 6-Zn.DB	Spring Washer	12			
31	GB 97.1 8-140HV-Zn.DB	Washer	4	√	√	√
32	64512-18H00	Lock Plate, Sprocket	2	√	√	√
33	GB/T 5783 M10×1.25×25-9.8-Zn.DB	Bolt	4	√	√	√
34	GB/T 6170 M6-Zn.DB	Nut	1	√	√	√
35	65300-Z1010	Hub, Rear Wheel	1	√	√	√
36	64200-14A00	Panel Comp, Rear Hub	1	√		√
36-1	64200-14A10	Panel Comp, Rear Hub	1		√	
37	64210-Z1000	Brake Shoe Assy, Rear	1	√		√
37-1	64210-14A10	Brake Shoe Assy, Rear	1		√	

Ref	Part Number	DESCRIPTION(ENGLISH)	QTY	ST125-6	ST125-6 economic	ST125-6A
-----	-------------	----------------------	-----	---------	---------------------	----------

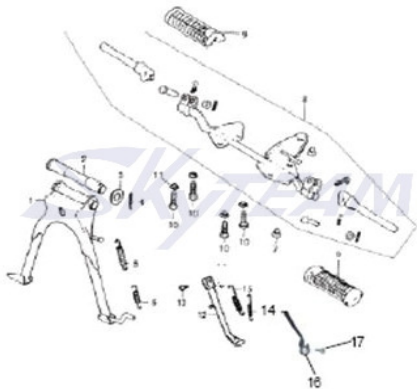
FIG.10 SWINGING ARM & REAR ABSORBER



1	61000-14A10	Swing Arm Comp (Color)	1	√		√
1-1	61000-14A00	Swing Arm Comp (Color)	1		√	
1-2	61000-17H00	Swing Arm Comp	1			
2	61211-14A00	Axle, Swing Arm	1	√	√	√
2-1	61211-14A10	Axle, Swing Arm	1			
3	GB 97.1 10-140HV-Zn.DB	Washer	1	√	√	√
4	GB/T 6187.2 M10×1.25-Zn.DB	Flange Nut	1	√	√	√
5	64312-14A00	Spring	1	√	√	√
6	GB 97.1 8-140HV-Zn.DB	Washer	2	√	√	√
6-1	GB 97.1 8-140HV-Zn.DB	Washer	1			
7	GB/T 6170 M8-Zn.DB	Nut	2	√	√	√
7-1	GB/T 5783 M10×1.25×25-Zn.DB	Bolt	1			
8	GB/T 91 2×20-Zn.DB	Cotter Pin	2	√	√	√
9	65311-14A00	Bolt	1	√	√	√
10	64311-14A00	Linking Plate	1	√	√	√
11	GB 859 8-Zn.DB	Spring Washer	1	√	√	√
12	61101-14A10	Spacer	1	√	√	√
13	61277-14A10	Bearing	2	√		√
13-1	61251-14A00	Bushing	2		√	
13-2	51120-16H10	Bushing	2			
14	61222-14A10	Dust Seal	2	√		√
15	61310-14A10	Chain Case	1	√	√	√
16	53111-15A00	Rubber Pad	1	√	√	√
17	GB 96 6-140HV-Zn.DB	Washer	1	√	√	√
18	GB/T 5783 M6×18-Zn.DB	Bolt	1	√	√	√
19	62100-14A10	Rear Shock Absorber Assy	2	√		√
19-1	62100-14A00	Rear Shock Absorber Assy	2		√	
19-2	62100-17H00	Rear Shock Absorber Assy	2			
20	62001-16H00	Washer	2	√	√	√
21	GB 96 10-140HV-Zn.DB	Washer	4	√	√	√
22	GB/T 923 M10×1.25-Cr	Nut	4	√	√	√
23	62170-14A10	Oil Seal	2	√		√
23-1	62170-14A00	Oil Seal	2		√	
23-2	62170-17H00	Oil Seal	2			
24	61275-14A10	Bushing	2	√		√
25	61276-14A10	Middle Bushing	1	√		√
25-1	61276-14A00	Middle Bushing	1		√	
25-2	61276-17H00	Middle Bushing	1			
26	43620-14A00	Rear Footrest, Left	1	√	√	√
26-1	43620-Y1000	Rear Footrest, Left	1			
27	43720-14A00	Rear Footrest, Right	1	√	√	√
27-1	43720-17H00	Rear Footrest, Right	1			
28	GB/T 5783 M10×1.25×20-Zn.DB	Bolt	2	√	√	√
29	GB 859 10-Zn.DB	Spring Washer	2	√	√	√
30	61111-14A00	Spacer	1			
31	GB/T 6170 M10×1.25-Zn.DB	Nut	2			
32	GB 859 10-Zn.DB	Spring Washer	2			
33	GB 97.1 10-140HV-Zn.DB	Washer	2			
34	43731-17H00	Spacer	1			
35	61100-14A10	Swing Arm Comp	1	√		√
35-1	61100-14A00	Swing Arm Comp	1		√	
35-2	61100-17H00	Swing Arm Comp	1			

Ref	Part Number	DESCRIPTION(ENGLISH)	QTY	ST125-6	ST125-6 economic	ST125-6A
-----	-------------	----------------------	-----	---------	------------------	----------

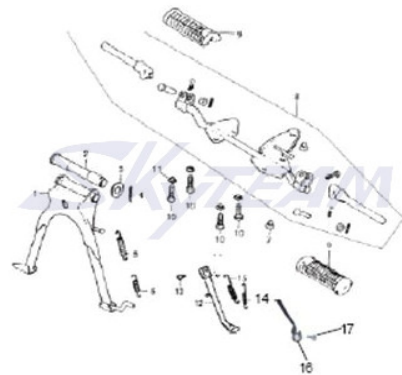
FIG.11 STAND



1	42100-14A10	Center Stand	1	√	√	√
1-1	42100-14A00	Center Stand	1			
2	42211-14A00	Shaft, Center Stand	1	√	√	√
3	GB 97.1 16-140HV-Zn.DB	Washer	1	√	√	√
4	GB/T 91 3.2×25-Zn.DB	Cotter Pin	1	√	√	√
5	42312-Z1000	Outer Spring, Side Stand (Used In Center Stand)	1	√	√	√
6	42232-14A00	Inner Spring	1	√	√	√
7	42222-14A00	Cushion, Stand Center	1	√	√	√
8	43510-14A10	Front Footrest Assy	1	√	√	
8-1	43510-14A20	Front Footrest Assy	1			√
9	43511-Z1000	Rubber, Front Footrest	2	√	√	√
10	GB/T 5783 M8×20-Zn.DB	Bolt	4	√	√	√
11	GB 859 8-Zn.DB	Spring Washer	4	√	√	√
12	42310-14A10	Side Stand	1	√	√	√
13	42311-Y1000	Bolt	1	√	√	√
14	42321-Z1000	Inner Spring, Side Stand	1	√	√	√
15	42312-Z1000	Outer Spring, Side Stand	1	√	√	√
16	42313-Y1000	Switch, Side Stand	1	√	√	√
17	42315-Y1000	Bolt, Side Stand Switch	1	√	√	√

Ref	Part Number	DESCRIPTION(ENGLISH)	QTY	ST125-6	ST125-6 economic	ST125-6A
-----	-------------	----------------------	-----	---------	---------------------	----------

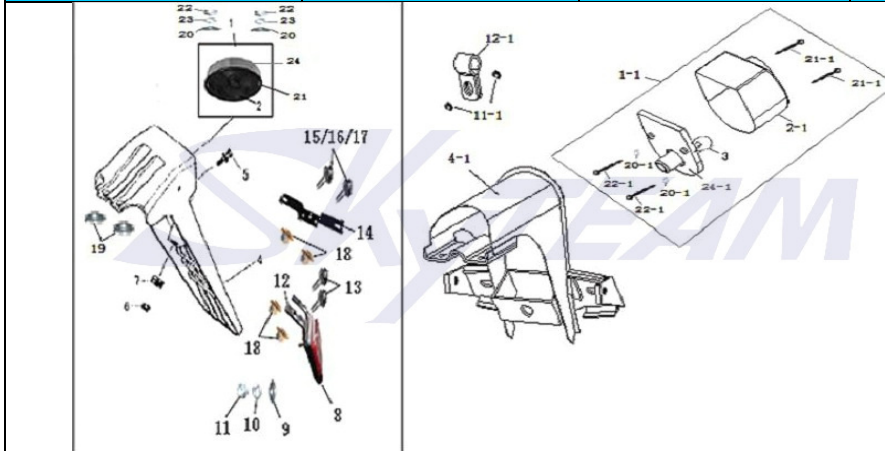
FIG.12 SEAT



1	45100-14A00	Seat Assy (Color)	1	√	√	√
1-1	45100-17H00	Seat Assy (Color)	1			
2	45154-14A00	Cushion	2	√	√	√
2-1	45154-14A10	Cushion	2			
3	37611-14A00	Rubber Ring	1	√	√	√
4	45121-14A00	Upper Hinge, Seat	1	√	√	√
5	45122-14A00	Lower Hinge, Seat	1	√	√	√
6	45140-14A00	Spring Hook Assy, Seat	1	√	√	√
7	45132-14A00	Rubber Ring	2	√	√	√
8	45133-14A00	Spacer	2	√	√	√
9	45131-14A00	Hook, Seat	1	√	√	√
10	45123-14A00	Bolt	1	√	√	√
11	GB/T 5783 M6×20-Zn.DB	Bolt	4	√	√	√
12	GB 96 6-140HV-Zn.DB	Washer	1	√	√	√
13	GB/T 818 M6×20-Zn.DB	Screw	1	√	√	√
14	GB 96 6-140HV-Zn.DB	Washer	4	√	√	√
15	47411-14A00	Tool Holder	1	√	√	√
16	82100-Z1000	Tool Kits	1	√	√	√
17	GB/T 16674 M8×14-Zn.DB	Flange Bolt	2	√	√	√
18	45120-14A00	Hinge, Seat	1	√	√	√

Ref	Part Number	DESCRIPTION(ENGLISH)	QTY	ST125-6	ST125-6 economic	ST125-6A
-----	-------------	----------------------	-----	---------	---------------------	----------

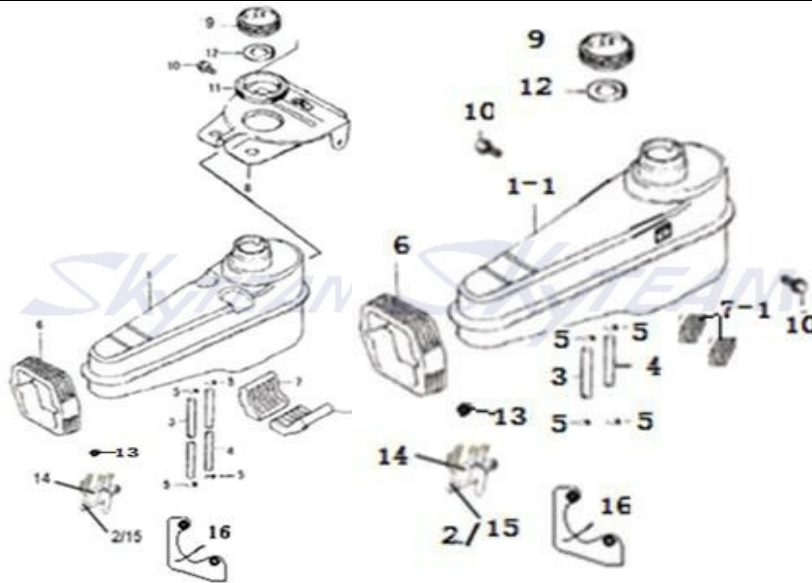
FIG.13 REAR LAMP



1	35710-Y1000	Tail Lamp Assy (Ellipse)	1	√	√	√
1-1	35710-17H00	Tail Lamp Assy	1			
2	35712-15H00	Lens, Tail Lamp	1	√	√	√
2-1	35712-17H00	Lens, Tail Lamp	1			
3	35711-Y1000	Bulb, Tail Lamp	1	√	√	√
4	63112-14A00	Rear Part , Rear Fender	1	√	√	√
4-1	63112-14A10	Holder, Tail Lamp	1			
5	GB/T 5783 M6×25-Zn.DB	Bolt	1	√	√	√
6	GB/T 6187.1 M6-Zn.DB	Flange Nut	1	√	√	√
7	34120-10A00	Rubber Ring	1	√	√	√
8	38160-Y1000	Rear Reflector	1	√	√	√
9	GB 96 5-140HV-Zn.DB	Washer	1	√	√	√
10	GB 859 5-Zn.DB	Spring Washer	1	√	√	√
11	GB/T 6170 M5-Zn.DB	Nut	1	√	√	√
11-1	GB/T 6170 M5-Zn.DB	Nut	2			
12	38162-17H00	Bracket, Rear Reflector	1	√	√	√
12-1	38162-14A00	Bracket, Rear Reflector	1			
13	47131-10H00	Screw	2	√	√	√
14	45530-14A00	Bracket, Licence Plate	1	√	√	√
15	GB 97.1 6-140HV-Zn.DB	Washer	2	√	√	√
16	GB 859 6-Zn.DB	Spring Washer	2	√	√	√
17	GB/T 70.1 M6×16-Zn.DB	Screw	2	√	√	√
18	GB/T 6187.1 M6-Zn.DB	Flange Nut	4	√	√	√
19	44415-15A00	Bushing	3	√	√	√
20	GB 97.1 6-140HV-Zn.DB	Washer	2	√	√	√
20-1	GB 97.1 5-140HV-Zn.DB	Washer	2			
21	GB/T 845 ST4.2×13-F-H-Zn.DB	Screw	2	√	√	√
21-1	GB/T 818 M4×16-Zn.DB	Screw	2			
22	GB/T 6170 M6-Zn.DB	Nut	2	√	√	√
22-1	GB/T 818 M5×16-Zn.DB	Screw	2			
23	GB 859 6-Zn.DB	Spring Washer	2	√	√	√
24	35715-15H00	Holder, Tail Lamp	1	√	√	√
24-1	35715-17H00	Holder, Tail Lamp	1			

Ref	Part Number	DESCRIPTION(ENGLISH)	QTY	ST125-6	ST125-6 economic	ST125-6A
-----	-------------	----------------------	-----	---------	---------------------	----------

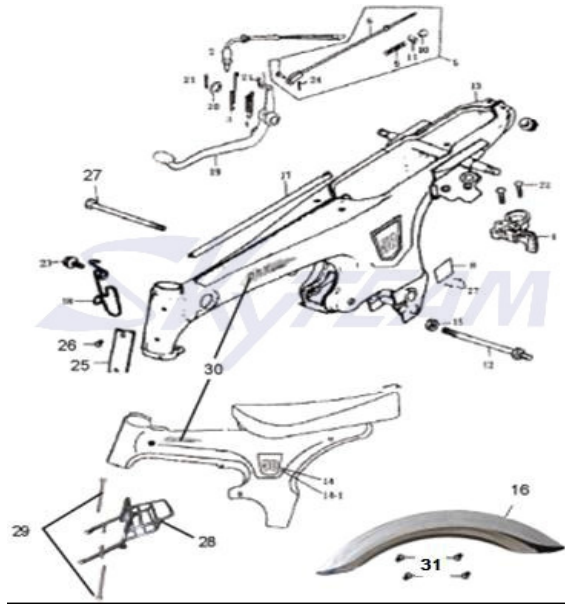
FIG.14 FUEL TANK



1	44110-14A00	Fuel Tank Comp	1	√	√	√
1-1	44110-14A20	Fuel Tank Comp	1			
2	GB/T 5783 M6×16-Zn.DB	Bolt	2	√	√	√
3	09341-14A00	Hose 1	2	√	√	√
4	09352-14A00	Hose 2	1	√	√	√
5	44125-Z1000	Clip	6	√	√	√
6	44131-14A00	Rubber Ring, Front	1	√	√	√
7	44132-14A00	Rubber Ring, Lower	2	√	√	√
7-1	44132-14A10	Rubber Ring, Lower	2			
8	44120-14A00	Fule Tank Cover	1	√	√	√
9	44222-14A00	Fuel Tank Cap	1	√	√	√
10	GB/T 16674 M6×12-Zn.DB	Flange Bolt	2	√	√	√
11	44133-14A00	Rubber Ring	1	√	√	√
12	44221-14A00	Seal Ring	1	√	√	√
13	GB/T 6187.1 M6-Zn.DB	Flange Nut	2	√	√	√
14	44300-Z1000	Fuel Cock	1	√	√	√
15	GB 859 6-Zn.DB	Spring Washer	2			
16	44301-14A00	Bracket, Fuel Cock	1			

Ref	Part Number	DESCRIPTION(ENGLISH)	QTY	ST125-6	ST125-6 economic	ST125-6A
-----	-------------	----------------------	-----	---------	---------------------	----------

FIG. 15 FRAME-EMBLEM



2	37740-14A00	Brake Switch, Rear		1	√	√	√
3	37741-15A00	Spring, Rear Brake Switch		1	√	√	√
4	43211-14A00	Return Spring, Rear Brake		1	√	√	√
5	43300-14A00	Brake Rod Assy		1	√	√	√
6	43311-14A00	Brake Rod		1	√	√	√
7	43312-Z1000	Pin		1	√	√	√
8	68712-14A00	Anti-Tempering Plate (45km/H)		1			
8-1	68712-14A20	Anti-Tempering Plate (45km/H)		1			
8-2	68712-17H00	Anti-Tempering Plate		1	√	√	
8-3	68712-17H10	Anti-Tempering Plate		1			√
8-4	68712-17H20	Anti-Tempering Plate		1			
9	210401-Z1000	Spring		1	√	√	√
10	GB/T 91 2×16-Zn.DB	Cotter Pin		1	√	√	√
11	43313-Z1000	Pin		1	√	√	√
12	09111-14A00	Bolt		1	√	√	√
12-1	09111-14A10	Bolt		1			
13	41100-14A00	Frame Comp (Color)		1	√	√	√
13-1	41100-14A10	Frame Comp (Color)		1			
14	89011-14A00	Model Decals		2			
14-1	89011-17H00	Model Decals		2	√	√	√
15	GB/T 6187.1 M8-Zn.DB	Flange Nut		2	√	√	√
16	63110-14A00	Rear Fender		1	√	√	√
17	41211-14A00	Decoration Strip		1	√	√	√
18	36621-14A00	Clamp		1	√	√	√
19	43110-14A00	Brake Pedal		1	√	√	√
20	GB 97.1 16-140HV-Zn.DB	Washer		1	√	√	√
21	GB/T 91 3.2×25-Zn.DB	Cotter Pin		1	√	√	√
22	GB/T 819.1 M6×16-Zn.DB	Screw		2	√	√	√
23	GB/T 16674 M6×10-Zn.DB	Flange Bolt		1	√	√	√
24	GB/T 91 2×16-Zn.DB	Cotter Pin		1	√	√	√
25	68711-15H00	Vin Plate		1	√	√	√
26	GB 12618 3.2×11	Rivet		4	√	√	√
27	09112-14A00	Bolt		1	√	√	√
27-1	09112-14A20	Bolt		1			
28	46110-14A10	Rear Carrier		1	√	√	√
29	GB/T 16674 M8×95-Zn.DB	Flange Bolt		2	√	√	√
30	89012-14A00	Emblem		2	√	√	√
31	GB/T 16674 M6×12-Zn.DB	Flange Bolt		4	√	√	√