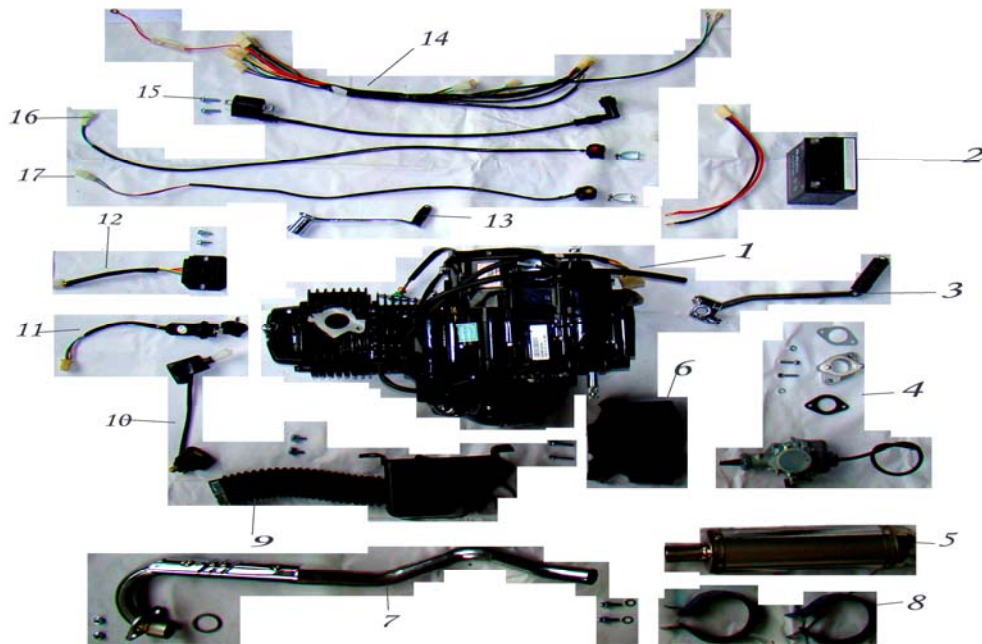


F1		FRAME		
NO.	PICTURE NO.	CHINESE NAME	ENGLISH NAME	QTY
1	DMX-250-1	主车架	MAIN FRAME	1
2	DMX-250-2	发动机吊装片(下)	FIXING BLOCK ,ENGINE (DOWN)	1
3	DMX-250-3	发动机吊装片(上)	FIXING BLOCK ,ENGINE(UP)	1
4	DMX-250-4	脚蹬(右)	LEFT, FOOTREST.	1
4	DMX-250-4-1	脚蹬(左)	RIGHT, FOOTREST.	1
5	DMX-250-5	后平叉连接轴	CONNECTER AXLE,RR.SWINGARM	1
6	DMX-250-6	脚刹连杆组件	FOOT BRAKE LEVER ASSY	1
7	DMX-250-7	发动机安装主轴	FIXING AXLE, ENGINE	1
8	DMX-250-8	发动机吊装支架(后)	FIXING BRACKET,ENGINE(REAR)	1
9	DMX-250-9	后支架	REAR, BRACKET	1
10	DMX-250-10	脚撑	SIDE STAND	1
11	DMX-250-11	电池盒	BATTERY BOX	1



F2				
NO.	PICTURE NO.	CHINESE NAME	ENGLISH NAME	QTY
1	DMX-250-1	隆鑫CB250cc发动机	LONCIN 250CC AIR COOLED	1
		隆鑫CB150cc发动机	LONCIN150CC AIR COOLED	1
		隆鑫CB125cc发动机	LONCIN125CC AIR COOLED	1
2	DMX-250-2	电池4.5A12F	BATTERY (4.5A , 12F)	1
3	DMX-250-3	启动杆	LEVER,KICK STARTER	1
4	DMX-250-4	化油器	CARBURATOR	1
5	DMX-250-5	消声器(高配)	MUFFLER(GOOD)	1
6	DMX-250-6	发动机边盖	SIDE COVER,ENGINE	1
7	DMX-250-7	排气管	EXHAUST PIPE	1
8	DMX-250-8	消音器卡箍	MUFFLER BAR CLASP	2
9	DMX-250-9	空滤器	AIR FILTER	1
10	DMX-250-10	继电器	REPLAY	1
11	DMX-250-11	电门锁	INGITION KEY	1
12	DMX-250-12	整流稳压器	RECTIFIER (LONCIN)	1
13	DMX-250-13	变档杆	GEAR SHIFTER	1
14	DMX-250-14	总线	MAIN WIRES	1
15	DMX-250-15	高压包	IGNITION COIL(NO EEC)	1
16	DMX-250-16	电启动	ELECTRIC START	1
17	DMX-250-17	点熄火开关	ELECTRIC START SWITCH	1



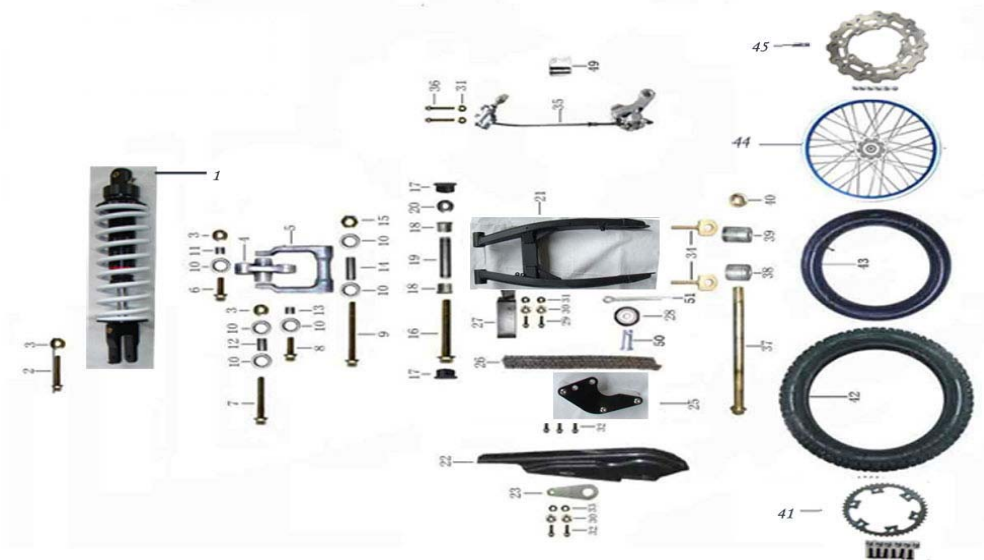
F3		PLASTIC		
NO.	PICTURE NO.	CHINESE NAME	ENGLISH NAME	QTY
1	DMX-250-1	前挡泥板	FR.FENDER	1
2	DMX-250-2	后尾板	TAIL FENDER	1
3	DMX-250-3	后挡泥板	FENDER RR.SUSPENSION	1
4	DMX-250-4	油箱	GAS TANK	1
5	DMX-250-5	坐垫	SEAT	1
6	DMX-250-6	前左侧板	FR.L SIDE FENDER	1
7	DMX-250-7	前右侧板	FR.R SIDE FENDER	1
8	DMX-250-8	后右侧板A	RR.R&L SIDE FENDER(A)	1
9	DMX-250-9	后左侧板B	RR.R&L SIDE FENDER(B)	1
10	DMX-250-10	前记号牌	FRONT,NUMBER PLATE	1



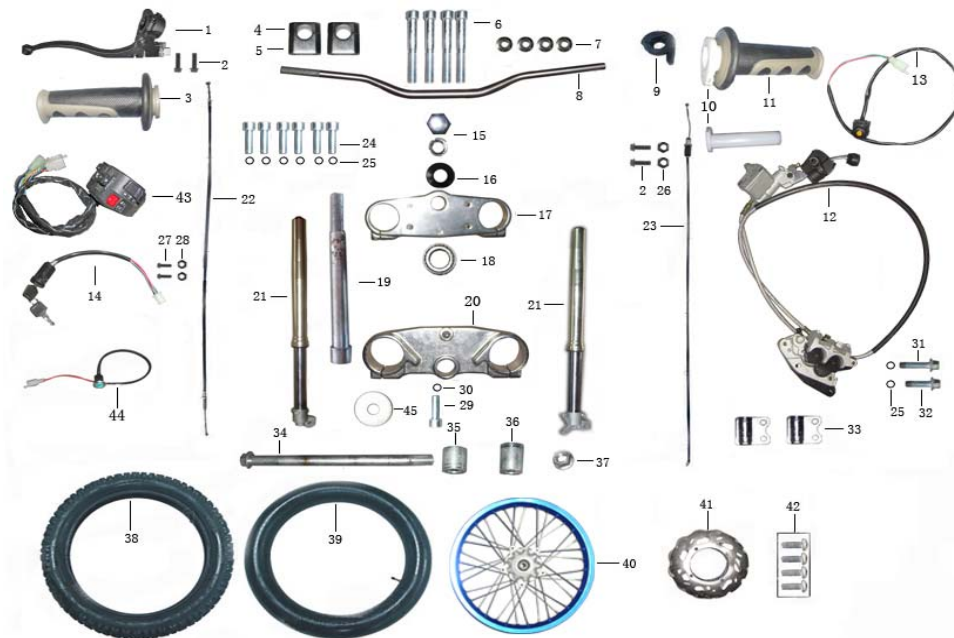
F4

REAR

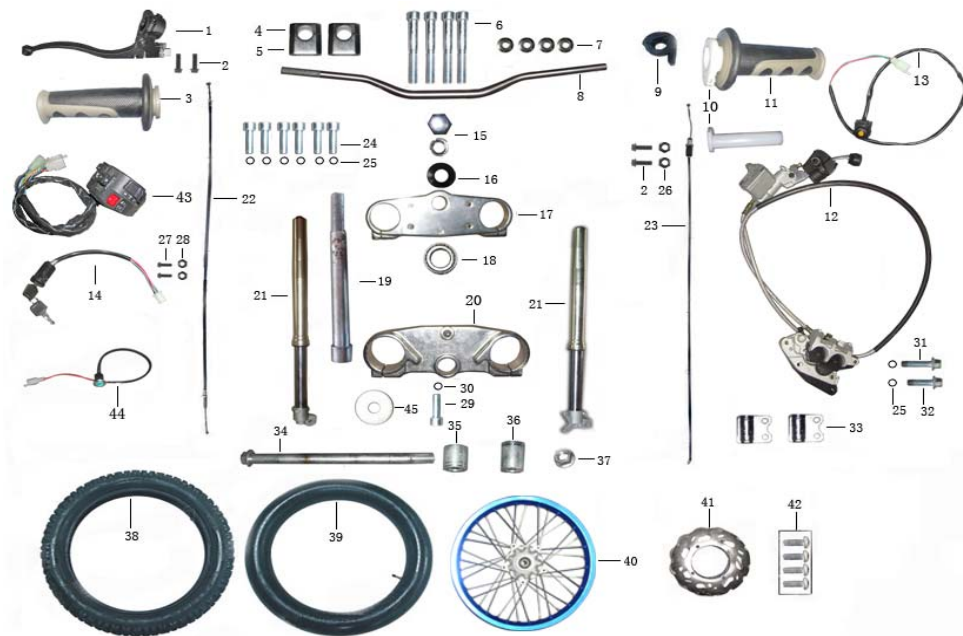
NO.	PICTURE NO.	CHINESE NAME	ENGLISH NAME	QTY
1	DMX-250-1	后减震	RR.SUSPENSION	1
2			BOLT FOR REAR SHOCK ON SWINGARM	
3			NUT FOR BOLT ON REAR SHOCK	
4	DMX-250-4	B连杆	B LEVER, RR.SUSPENSION	1
5	DMX-250-5	A连杆	A LEVER, RR.SUSPENSION	1
6			BOLT FOR LINKAGE TO SHOCK	
7			BOLT FOR LINKAGE	
8			BOLT LINKAGE TO SWINGARM	
9			BOLT FOR LINKAGE TO FRAME	
10	DMX-250-10	滚针轴承	NEEDLE BEARING LINKAGE	6
11	DMX-250-11	隔套B连杆用	BUSH, B LEVER (LINKAGE)	1
12	DMX-250-12	隔套B连杆用	BUSH,B LEVER (LINKAGE)	1
13	DMX-250-13	隔套B连杆用	BUSH,B LEVER (LINKAGE)	1
14	DMX-250-14	隔套A连杆用	BUSH, A LEVER (LINKAGE)	1
15			NUT FOR BOLT ON LINKAGE TO FRAME	
16	DMX-250-16	中轴	BOLT AXLE SWINGARM	1
17			BUSH FOR SWINGARM	
18	DMX-250-18	隔套中轴轴套	BUSH AXLE FOR SWINGARM	2
19			BUSH FOR SWINGARM	
20			NUT FOR SWINGARM BOLT	
21	DMX-250-21	后平叉	REAR SWING ARM	1
22	DMX-250-22	链罩	CHAIN COVER (TOP OF CHAIN)	1
23			BRACKET FOR CHAIN COVER (TOP)	
24			BOLTS FOR CHAIN COVER	
25	DMX-250-25	链条导槽	CHAIN GUIDE (BOTTOM SWINGARM)	1
26	DMX-250-26	链条	CHAIN	1
27			CHAIN SLIDER (TOP OF FRONT SWINGARM)	
28	DMX-250-28	链条涨紧轮	CHAIN ROLLOER	1
29			BOLT FOR CHAIN SLIDER	2
30			WASHER FOR CHAIN SLIDER	2
31			NUT FOR BOLT FOR CHAIN SILDER	2
32			BOLTS FOR REAR BRAKE PISTON	2



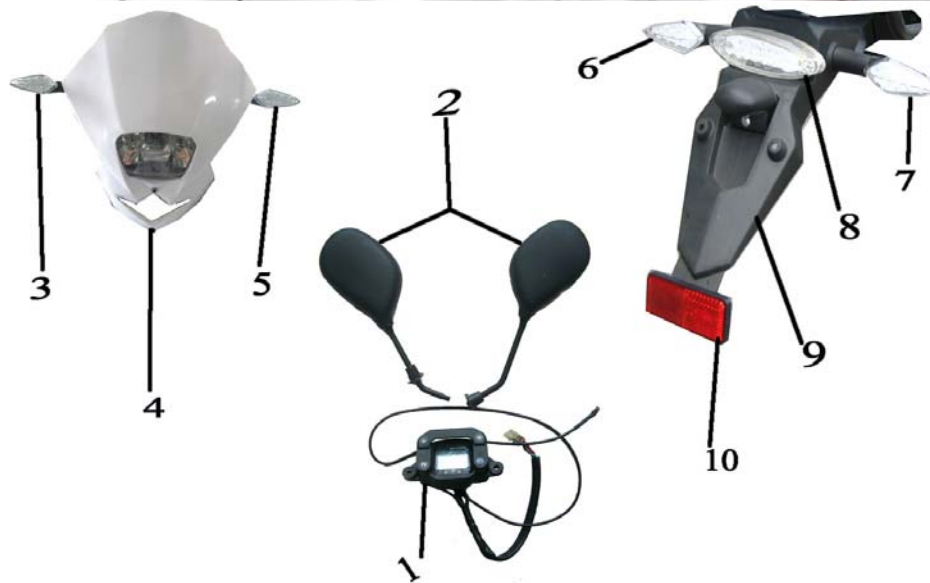
F4		REAR		
33			BOLTS FOR CHAIN GUIDE	3
34	DMX-250-34	后千斤	CHAIN ADJUSTER/TENSIONER	2
35	DMX-250-35	后液刹	RR.HYDRAULIC BRAKE CALIPER ASSY	1
36			BOLTS FOR RR. BRAKE/PISTON	
37	DMX-250-37	后轴	RR.AXLE WHEEL/SWINGARM	1
38	DMX-250-38	隔套	L.BUSH,RR. WHEEL	1
39	DMX-250-39	隔套	R.BUSH,RR. WHEEL	1
40			NUT FOR RR AXLE BOLT	
41	DMX-250-41	链轮	RR.SPROCKET	1
42	DMX-250-42	后轮外胎(16")	RR.TYRE(16")	1
42	DMX-250-42	后轮外胎(17"公路胎)	RR. TYRE(17")	1
43	DMX-250-43	后轮内胎(16")	INNER TUBE,RR.TYRE(16")	1
43	DMX-250-43	后轮内胎(17")	INNER TUBE,RR.TYRE(17")	1
44	DMX-250-44	后轮毂(高配-16')	RR.HUB(16")	1
44	DMX-250-44	后轮毂(高配-17')	RR.HUB(17")	1
45	DMX-250-45	制动盘(高配)	RR.BRAKE DISC (air cooled)	1
46	DMX-250-46	后制动盘护板	PROTECTOR,RR.BRAKE DISC	1



F5		HANDELBAR & WHEELS		
NO.	PICTURE NO.	CHINESE NAME	ENGLISH NAME	QTY
1	DMX-250-1	离合把	CLUTCH LEVER & PERCH	1
2			BOLTS FOR CLUTCH /BRAKE LEVER	
3	DMX-250-3	左把套	GRIP,LH	1
4	DMX-250-4	方向把锁紧上块	TOP BAR MOUNT,HANDLE BAR	2
5	DMX-250-5	方向把锁紧下块	LOWER BAR MOUNT,HANDLE BAR	2
6			BOLTS FOR BAR MOUNT, HANDLERBAR	
7			NUT FOR BAR MOUNT BOLTS, HANDLEBAR	
8A	DMX-250-8	方向把 (铝)	HANDLE BAR(Alloy)	1
8B	DMX-250-8	方向把 (铁)	HANDLE BAR(Steel)	1
9	DMX-250-9	加油器	THROTTLE HOUSING	1
10	DMX-250-10	把座	PLASTIC THROTTLE TUBE	1
11	DMX-250-11	右把套	GRIP,RH	1
12	DMX-250-12	前液刹	FR.BRAKE CALIPER ASSY	1
13	DMX-250-13	点熄火开关	ELECTRIC START SWITCH	1
14	DMX-250-14	电门锁	IGNITION KEY	1
15	DMX-250-15	方向柱锁紧螺母	TOP STEERING NUT	1
16			WASHER FOR TOP STEERING NUT	
17	DMX-250-17	上联板 (高配)	TOP TRIPPLE CLAMP	1
18	DMX-250-18	圆锥滚子轴承	BEARING STEERING	2
19	DMX-250-19	方向柱	STEERING POLE	1
20	DMX-250-20	下联板 (高配)	LOWER TRIPPLE CLAMP	1
21	DMX-250-21	前减震 (高配)	FR.FORK SUSPENSION	2
22	DMX-250-22	离合线	CLUTCH CABLE	1
23	DMX-250-23	油门线	THROTTLE CABLE	1
24			BOLTS FOR TRIPLE CLAMP	
25			WASHER FOR BOLTS OF TRIPLE CLAMPS	
26			NUT	
27			BOLTS FOR LH SWITCH	
28			WASHERS FOR BOLT LH SWITCH	
29			BOLT FOR FRONT NUMBERBOARD, TOP CLAMP	
30			WASHER FOR BOLT NUMBERBOARD	
31			BOLT FOR FR BRAKE CALIPER	



F5		HANDELBAR & WHEELS		
32			BOLT FOR FR BRAKE CALIPER	
33			BRAKE PADS FRONT	
34	DMX-250-34	前轮轴	AXLE,FR.WHEEL	1
35	DMX-250-35	隔套	L.BUSH,FR.WHEEL	1
36	DMX-250-36	隔套	R.BUSH,FR.WHEEL	1
37			NUT FOR FRONT AXLE BOLT	
38	DMX-250-38	轮胎前外胎 (19')	FR.OFF ROAD TYRE(19')	1
38	DMX-250-38	轮胎前外胎(17")	FR.ROAD TYRE(17')	1
39	DMX-250-39	前轮内胎 (19')	INNER TUBE,FR.TYRE	1
39	DMX-250-39	前轮内胎(17")	INNER TUBE ,FR.TYRE	1
40	DMX-250-40	前轮毂 (铝-19')	FR.WHEEL COMPLETE (Rim/hub/spoke) 19'	1
40	DMX-250-40	前轮毂 (铝-17')	FR.WHEEL COMPLETE (Rim/hub/spoke) 17'	1
41	DMX-250-41	制动盘 (高配)	FR.BRAKE DISC	1
42			BOLTS FOR FRONT BRAKE DISK	
43	DMX-250-43	左把总成开关	SWITCH,L.HANDLE BAR-MOTARD	1
44			SWITCH,L.HANDLE BAR-KILL MX	
45			WASHER FOR BOLT, BOTTOM TRIPPLE CPLAMP	



F6		ROAD LEGAL PARTS		
1	DMX-250-1	仪表	SPEEDMETER	1
2	DMX-250-2	反光镜	MIRROR	1(SET)
3	DMX-250-3	前右转向灯 (LED)	R.F TURNING LIGHT (LED)	1
4	DMX-250-4	前大灯	HEAD LIGHT	1
5	DMX-250-5	前左转向灯 (LED)	L.F TAIL LIGHT (NORMAL)	1
6	DMX-250-6	后左转向灯 (LED)	L.R TURNING LIGHT (LED)	1
7	DMX-250-7	后右转向灯 (LED)	R.R TURINING LIGHT (LED)	1
8	DMX-250-8	后尾灯 (E-Mark)	TAIL LIGHT (e-mark)	1
		后尾灯	TAIL LIGHT(normal)	1
9	DMX-250-9	后尾灯支架	BRACKET,TAIL LIGHT	1
10	DMX-250-10	反光片	REVERBERATOR	1