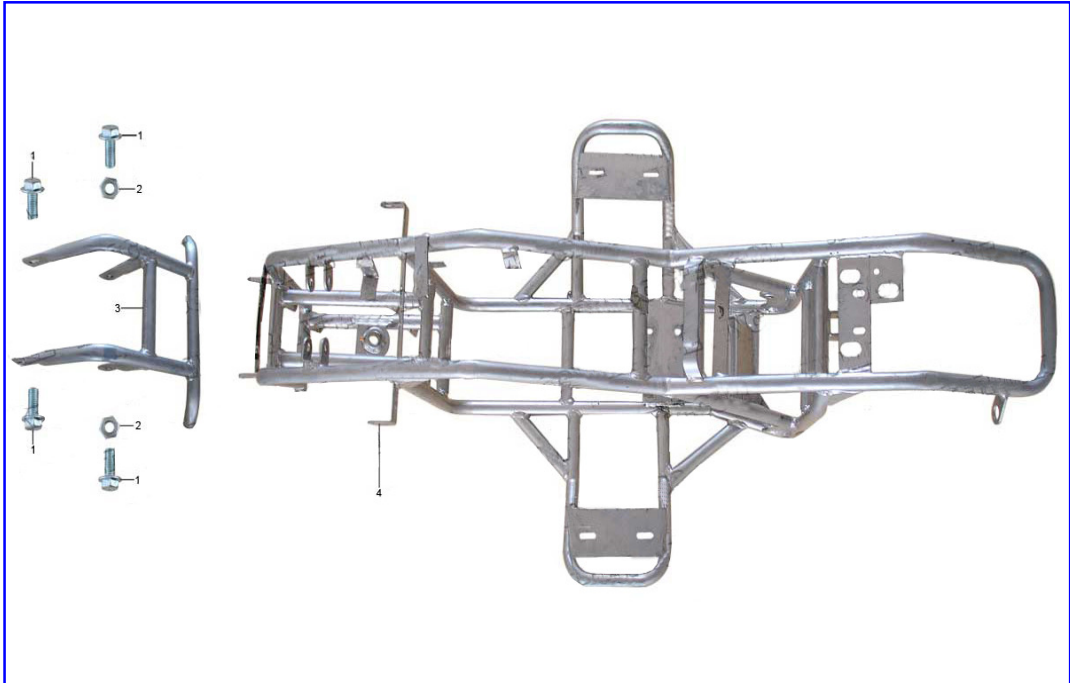
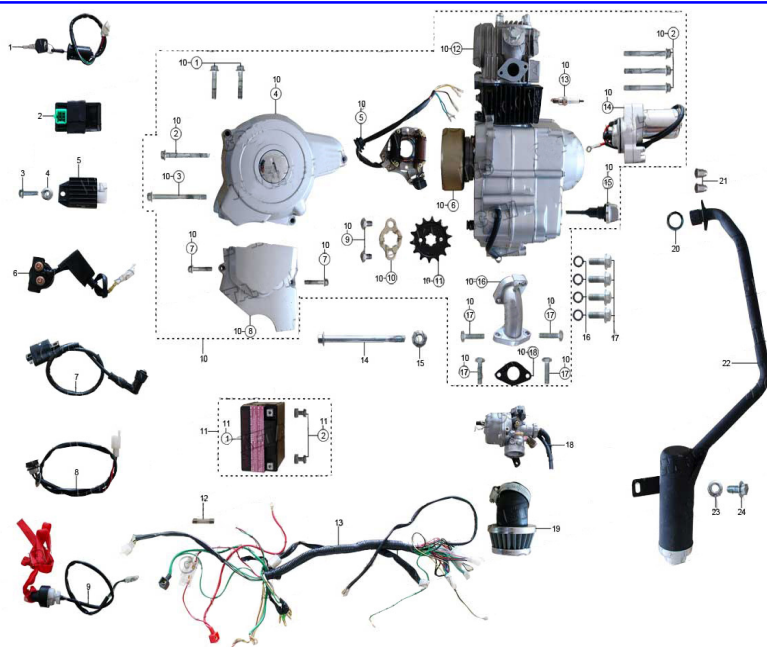


FRAME 001



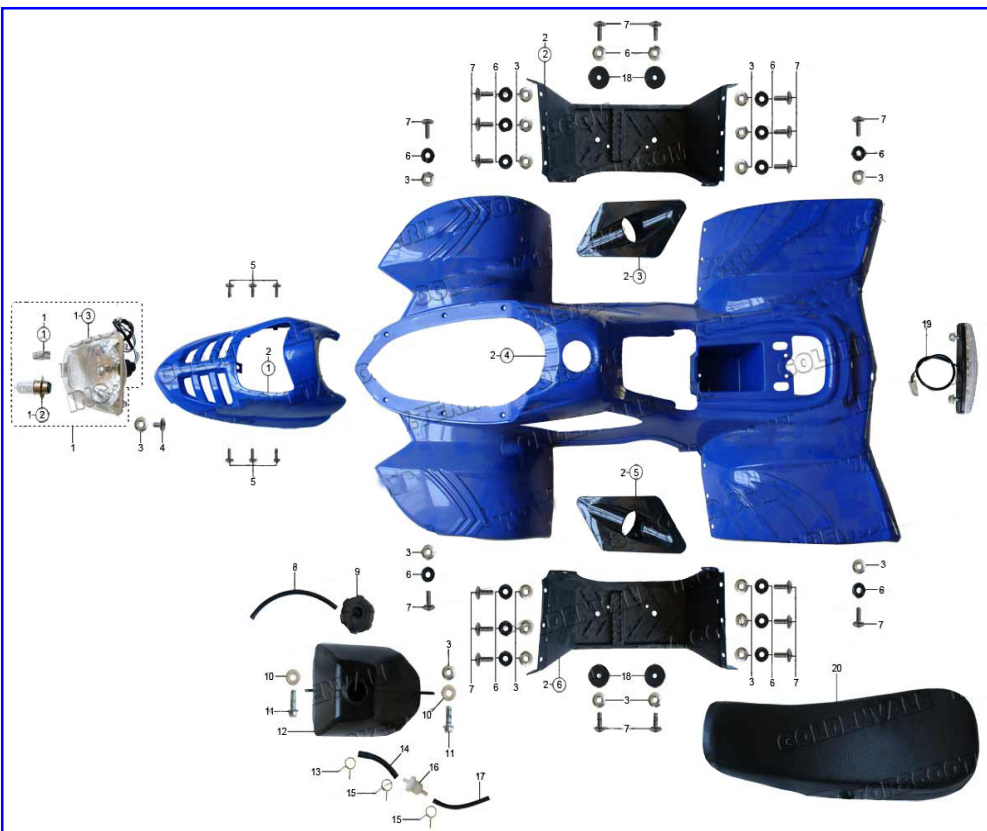
No.	PIC NO.	NAME	QTY	REMARKS
1	A1-01-1	HEX FLANGE BOLT	4	
2	A1-01-2	HEX NUT	2	
3	A1-01-3	FRONT BUMPER	1	
4	A1-01-4	MAIN FRAME	1	

ENGINE SYSTEM 002



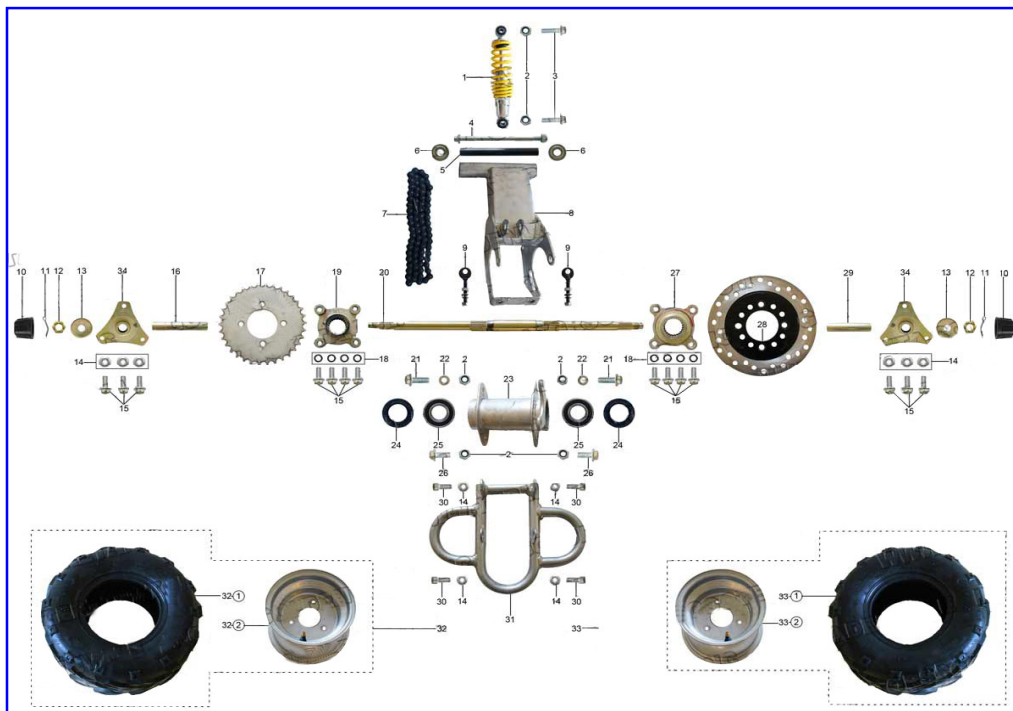
No.	PIC NO.	NAME	QTY	REMARKS
1	A1-02-1	IGNITION SWITCH LOCK	1	
2	A1-02-2	C.D.I.IGNITER	1	
3	A1-02-3	HEX FLANGE BOLT	2	
4	A1-02-4	AUTOLOCKING NUT	2	
5	A1-02-5	RECTIFIER	1	
6	A1-02-6	RELAY	1	
7	A1-02-7	IGNITION LOOP ASSY	1	
8	A1-02-8	CHARGER SOCKET	1	
9	A1-02-9	FLAMEOUT SWITCH OF TOTUR	1	
10	A1-02-10	ENGINE ASSY	1	
11	A1-02-10-01	HEX FLANGE BOLT	2	
12	A1-02-10-02	HEX FLANGE BOLT	4	
13	A1-02-10-03	HEX FLANGE BOLT	1	
14	A1-02-10-04	SIDE COVER,GENERATOR	1	
15	A1-02-10-05	STATOR	1	
16	A1-02-10-06	GENERATOR	1	
17	A1-02-10-07	HEX FLANGE BOLT	2	
18	A1-02-10-08	COVER,CHAIN OF ENGINE	1	
19	A1-02-10-09	HEX BOLT	2	
20	A1-02-10-10	CLIP,FR.SPROCKET	1	
21	A1-02-10-11	FR.SPROCKET	1	
22	A1-02-10-12	ENGINE GROUPWARE	1	
23	A1-02-10-13	SPARK PLUG	1	
24	A1-02-10-14	STARTER	1	
25	A1-02-10-15	GAUGE,OIL SEAL	1	
26	A1-02-10-16	INTAKE PIPE ASSY	1	
27	A1-02-10-17	HEX BOLT	4	
28	A1-02-10-18	INSULATOR	1	
29	A1-02-11	BATTERY ASSY	1	
30	A1-02-11-01	BATTERY	1	
31	A1-02-11-02	BOLT&NUT,BATTERY	2	
32	A1-02-12	FUSE	1	
33	A1-02-13	MAIN CABLE ASSY	1	
34	A1-02-14	HEX FLANGE BOLT	1	
35	A1-02-15	AUTOLOCKING NUT	1	
36	A1-02-16	ELASTICITY WASHER	4	
37	A1-02-17	HEX FLANGE BOLT	4	
38	A1-02-18	CARBURETOR ASSY	1	
39	A1-02-19	AIR CLEANER ASSY	1	
40	A1-02-20	GASKET,MUFFLER	1	
41	A1-02-21	CAP NUT	2	
42	A1-02-22	EXHAUSTER	1	
43	A1-02-23	AUTOLOCKING NUT	1	
44	A1-02-24	HEX FLANGE BOLT	1	

PLASTIC 003



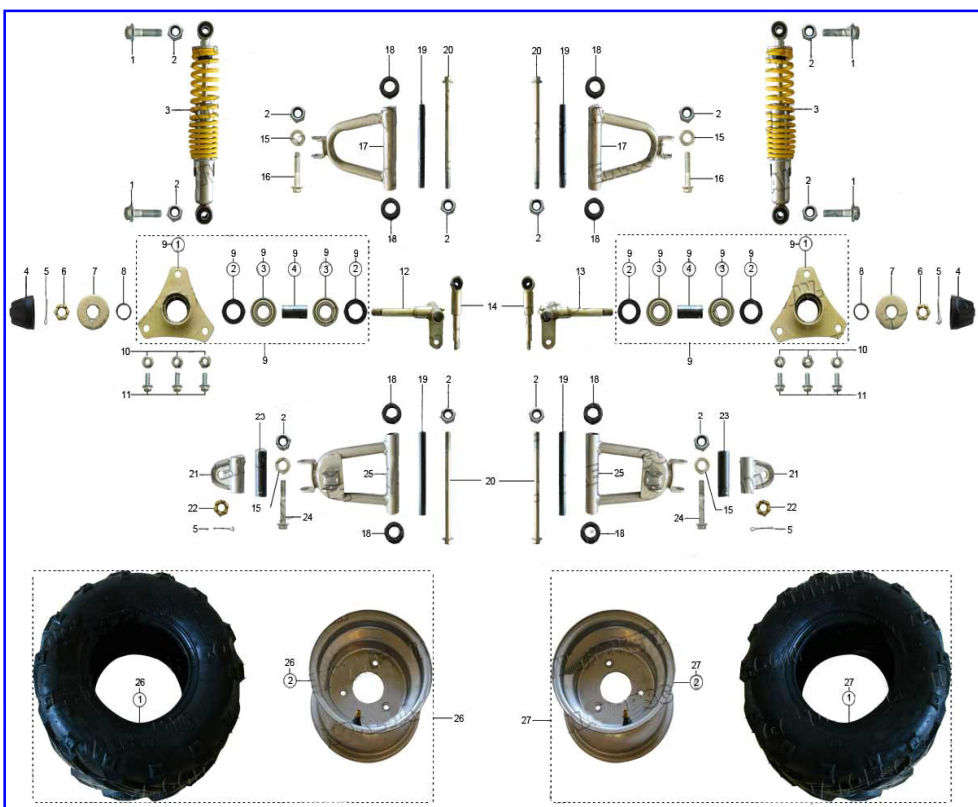
No.	PIC NO.	NAME	QTY	REMARKS
1	A1-03-1	FR.LIGHT ASSY	1	
2	A1-03-1-01	BULB,DRIVING LAMP	1	
3	A1-03-1-02	BULB,FR. LIGHT	1	
4	A1-03-1-03	FR.LIGHT GROUWARE	1	
5	A1-03-2	PLASTIC ASSY	1	
6	A1-03-2-01	FR.PANEL	1	
7	A1-03-2-02	R.FOOTREST	1	
8	A1-03-2-03	F.DECORATE COVER,MAIN PLASTIC BODY	1	
9	A1-03-2-04	MAIN PLASTIC BODY	1	
10	A1-03-2-05	L.DECORATE COVER,MAIN PLASTIC BODY	1	
11	A1-03-2-06	L.FOOTREST	1	
12	A1-03-3	AUTOLOCKING NUT	22	
13	A1-03-4	CRISSCROSS BALL-SHAPE-HEAD BOLT	1	
14	A1-03-5	TAPPING SCREW	6	
15	A1-03-6	RUBBER WASHER	12	
16	A1-03-7	CRISSCROSS BALL-SHAPE-HEAD BOLT	18	
17	A1-03-8	BREATHE TUBE	1	
18	A1-03-9	GAS TANK COVER	1	
19	A1-03-10	PLANE WASHER	2	
20	A1-03-11	HEX FLANGE BOLT	2	
21	A1-03-12	GAS TANK	1	
22	A1-03-13	ELASTICITY FASTENER	1	
23	A1-03-14	FUEL PIPE	1	
24	A1-03-15	ELASTICITY FASTENER	2	
25	A1-03-16	GAS FILTER	1	
26	A1-03-17	FUEL PIPE	1	
27	A1-03-18	RUBBER WASHER	4	
28	A1-03-19	TAIL LIGHT	1	
29	A1-03-20	SEAT ASSY	1	

REAR 004



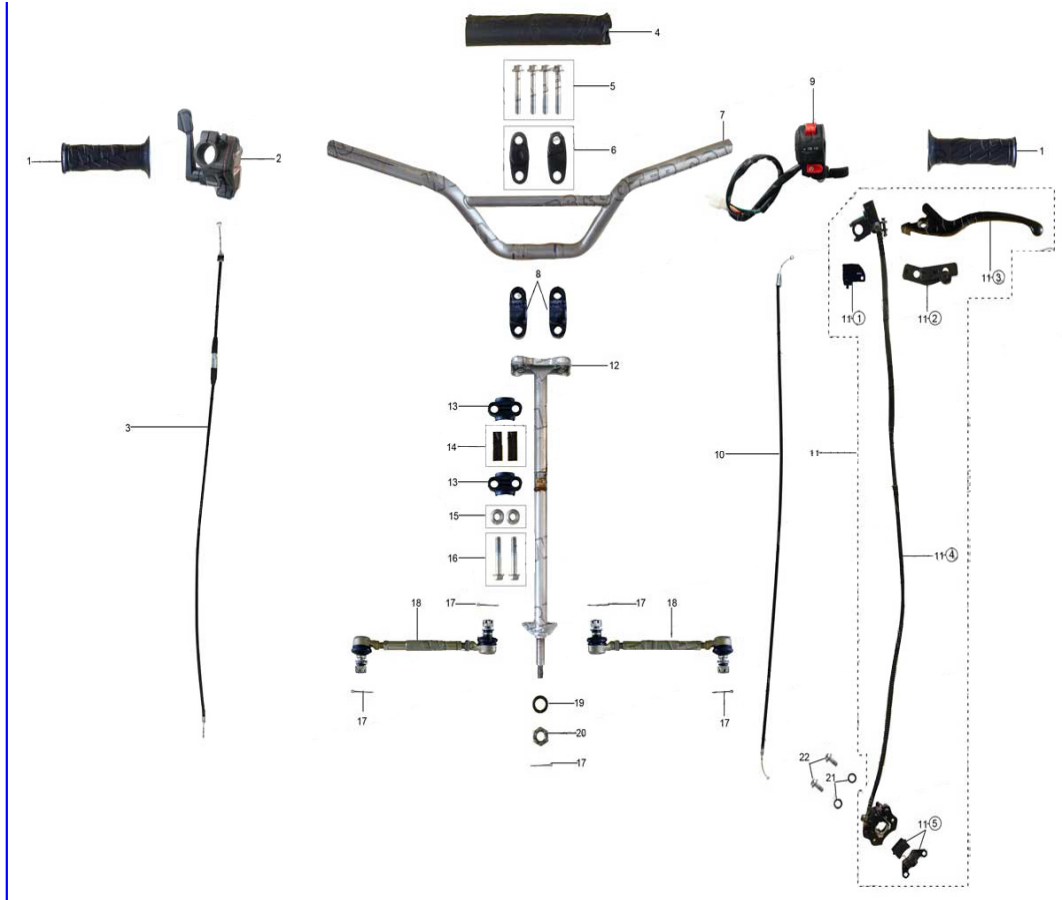
No.	PIC NO.	NAME	QTY	REMARKS
1	A1-04-1	RR.SHOCK ABSORBER ASSY	1	
2	A1-04-2	AUTOLOCKING NUT	6	
3	A1-04-3	HEX FLANGE BOLT	2	
4	A1-04-4	RR SWING ARM SHAFT	1	
5	A1-04-5	BUSH	1	
6	A1-04-6	BEARING 6001	2	
7	A1-04-7	CHAIN	1	
8	A1-04-8	RR.SWING ARM	1	
9	A1-04-9	ADJUSTER,CHAIN	2	
10	A1-04-10	SHIELD,RR.WHEEL	2	
11	A1-04-11	SPLIT PIN	2	
12	A1-04-12	HEX CONCAVE NUT	2	
13	A1-04-13	FLANGE WASHER	2	
14	A1-04-14	AUTOLOCKING NUT	10	
15	A1-04-15	HEX FLANGE BOLT	14	
16	A1-04-16	BUSH	1	
17	A1-04-17	RR.SPROCKET WHEEL	1	
18	A1-04-18	ELASTICITY WASHER	8	
19	A1-04-19	BRACKET RR.SPROCKET WHEEL	1	
20	A1-04-20	RR.AXES	1	
21	A1-04-21	HEX FLANGE BOLT	2	
22	A1-04-22	PLANE WASHER	2	
23	A1-04-23	CONNECTING PART,RR.AXES	1	
24	A1-04-24	OIL SEAL	2	
25	A1-04-25	BEARING 6205	2	
26	A1-04-26	HEX FLANGE BOLT	2	
27	A1-04-27	BRACKET,RR.BRAKE DISC	1	
28	A1-04-28	RR.BRAKE DISC	1	
29	A1-04-29	BUSH	1	
30	A1-04-30	INNER-HEX BOLT	4	
31	A1-04-31	PROTECT FRAME,RR.AXES	1	
32	A1-04-32	L.RR.TIRE ASSY	1	
33	A1-04-32-01	RR.TIRE	1	
34	A1-04-32-02	RR.RIM	1	
35	A1-04-33	R.RR.TIRE ASSY	1	
36	A1-04-33-01	RR.TIRE	1	
37	A1-04-33-02	RR.RIM	1	
38	A1-04-34	RR.WHEEL BRACKET ASSY	2	

FRONT 005



No.	PIC NO.	NAME	QTY	REMARKS
1	A1-05-01	HEX FLANGE BOLT	4	
2	A1-05-02	AUTOLOCKING NUT	1	
3	A1-05-03	FR.SHOCK ABSORBER ASSY	2	
4	A1-05-04	SHIELD,FR.WHEEL	2	
5	A1-05-05	SPLIT PIN	2	
6	A1-05-06	HEX CONCAVE NUT	2	
7	A1-05-07	FLANGE WASHER	2	
8	A1-05-08	BUSH	2	
9	A1-05-09	FR.WHEEL BRACKET ASSY	2	
10	A1-05-09-01	BRACKET,FR.WHEEL GROUPWARE	2	
11	A1-05-09-02	OIL SEAL	4	
12	A1-05-09-03	BEARING 6002	4	
13	A1-05-09-04	SPACER	2	
14	A1-05-10	AUTOLOCKING NUT	1	
15	A1-05-11	HEX FLANGE BOLT	1	
16	A1-05-12	L.FR.TRIFURCATE SHAFT	1	
17	A1-05-13	R.FR.TRIFURCATE SHAFT	1	
18	A1-05-14	FIXING SHAFT,TRIFURCATE	1	
19	A1-05-15	PLANE WASHER	1	
20	A1-05-16	HEX FLANGE BOLT	1	
21	A1-05-17	FR.UPPER SWING ARM	1	
22	A1-05-18	NYLON FLANGE	1	
23	A1-05-19	SPACER	1	
24	A1-05-20	HEX FLANGE BOLT	1	
25	A1-05-21	FIXING PIECE,TRIFURCATE	1	
26	A1-05-22	HEX CONCAVE NUT	1	
27	A1-05-23	SPACER	1	
28	A1-05-24	HEX FLANGE BOLT	1	
29	A1-05-25	FR.LOWER SWING ARM	1	
30	A1-05-26	L.FR.TIRE ASSY	1	
31	A1-05-26-01	FR.TIRE	1	
32	A1-05-26-02	FR.RIM	1	
33	A1-05-27	R.FR.TIRE ASSY	1	
34	A1-05-27-01	FR.TIRE	1	
35	A1-05-27-02	FR.RIM	1	

TURNING SYSTEM 006



No.	PIC NO.	NAME	QTY	REMARKS
1	A1-06-01	HANDLE GRIP	1	
2	A1-06-02	THROTTLE LEVER ASSY	1	
3	A1-06-03	ACCELEROGRAPH CABLE	1	
4	A1-06-04	CRASHWORTHY PIECE,STEERING HANDLE	1	
5	A1-06-05	HEX FLANGE BOLT	1	
6	A1-06-06	UPPER HOLDER,STEERING HANDLE	1	
7	A1-06-07	STEERING HANDLE	1	
8	A1-06-08	LOWER HOLDER,STEERING HANDLE	1	
9	A1-06-09	L.SWITCH ASSY	1	
10	A1-06-10	DAMPER CABLE	1	
11	A1-06-11	RR.HYDRAULIC PRESSURE BRAKE ASSY	1	
12	A1-06-11-01	RR.BRAKE LIGHT SWITCH	1	
13	A1-06-11-02	L.BRAKE HANDLE	1	
14	A1-06-11-03	CLIP,STOP BRAKE	1	
15	A1-06-11-04	RR.HYDRAULIC PRESSURE DETENT GROUP MADE	1	
16	A1-06-11-05	BRAKE SHOE,RR.HYDRAULIC PRESSURE BRAKE	1	
17	A1-06-12	STEERING POLE	1	
18	A1-06-13	STEERING POLE HOLDER	1	
19	A1-06-14	LINER PIPE,STEERING POLE HOLDER	1	
20	A1-06-15	AUTOLOCKING NUT	1	
21	A1-06-16	HEX FLANGE BOLT	1	
22	A1-06-17	SPLIT PIN	1	
23	A1-06-18	TURNING SHAFT	1	
24	A1-06-19	ELASTICITY WASHER	1	
25	A1-06-20	HEX CONCAVE NUT	1	
26	A1-06-21	ELASTICITY WASHER	1	
27	A1-06-22	HEX FLANGE BOLT	1	